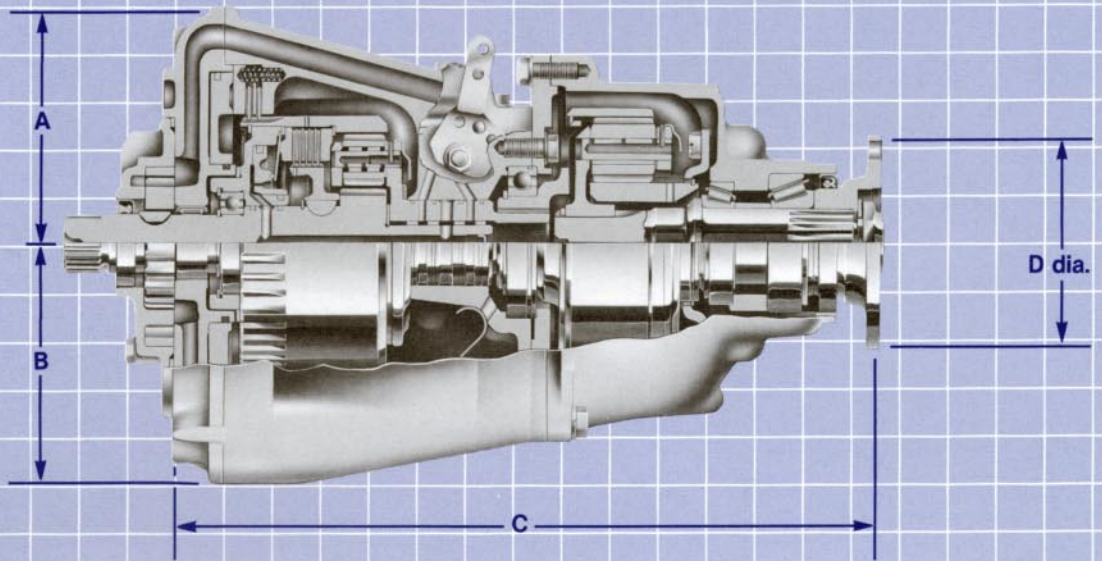


# In-Line

The Velvet Drive® “71” and “72” designations indicate input horsepower ranges. There are two basic configurations of transmissions in the 71 and 72 ratings. The most popular model is the in-line unit. “In-line” indicates that the input and output shafts of the transmission are on the same axis.

Direct drive versions of the in-line models are frequently used on high horsepower, light weight boats. The reduction ratio versions use an additional planetary gear set to allow the use of larger propellers for greater pulling power at lower shaft speeds.



## Dimensions Inches (millimeters)

Reduction Models	A	B	C	D dia.
71C (10-17)	5.63 (143.00)	5.69 (144.53)	16.89 (429.01)	5.00 (127.00)
72C (10-18)	5.63 (143.00)	5.69 (144.53)	17.79 (451.86)	5.00 (127.00)
Direct Drive Models	A	B	C	D dia.
71C (10-17)	5.63 (143.00)	5.69 (144.53)	10.50 (266.70)	4.00 (101.60)
72C (10-18)	5.63 (143.00)	5.69 (144.53)	11.44 (290.58)	5.00 (127.00)

### Model 71C (10-17) General Information

Available Ratios . . . . . 1.00, 1.52, 1.88\*, 2.10, 2.57, 2.91 : 1.00  
 Shaft Rotation . . . . . output same as engine unless noted  
 by asterisk (\*)  
 Approximate Dry Weight (direct drive) . . . . . 95 lbs. (43.1 kg)  
 Approximate Dry Weight (reduction) . . . . . 145 lbs. (65.8 kg)

### Model 72C (10-18) General Information

Available Ratios . . . . . 1.00, 1.52, 1.88\*, 2.10, 2.57, 2.91 : 1.00  
 Shaft Rotation . . . . . output same as engine unless noted  
 by asterisk (\*)  
 Approximate Dry Weight (direct drive) . . . . . 109 lbs. (49.4 kg)  
 Approximate Dry Weight (reduction) . . . . . 153 lbs. (69.4 kg)