



MARCH PUMPS

1819 PICKWICK AVE., GLENVIEW, IL 60026-1306, U.S.A
PHONE: (847) 729-5300 - FAX: (847) 729-7062
WWW.MARCHPUMP.COM

INSTRUCTIONS & REPAIR PARTS FOR MODELS 2CP-MD AND LC-2CP-MD PUMPS



MODEL 2CP-MD
ASS'Y. NO. 0125-0058-0100



MODEL LC-2CP-MD
ASS'Y. NO. 0125-0057-0200

RATINGS AND SPECIFICATIONS

MODEL NO.	CONNECTORS		H.P.	ELECTRICAL		G.P.H AT LISTED HEAD					MAX. HEAD	P.S.I. GAGE	DIMENSIONS			PACK WT.
	Inlet	Outlet		Watts	Amps	1 Ft.	3 Ft.	5 Ft.	6 Ft.	12 Ft.			Ht.	Wd.	Lg.	
2CP-MD LC-2CP-MD	3/8 FPT	1/4 MPT	1/35	60	1.1	300	260	210	195	45	13 Ft.	5.7	4	4 1/4	6	5 Lbs.

PUMP CONSTRUCTION AND SERVICING

March "Orbital" Magnetic Drive Pumps eliminate the conventional shaft seals found in most pumps. This means that there is no rotating seal to wear and allow the liquid being pumped to leak out. In addition to this unique "seal-less" design, the pump is hermetically encapsulated in epoxy. This epoxy encapsulation now allows the pumps to be run fully submerged in many liquids. The model LC-2CP-MD pump can be run totally submerged or can be run in open air for complete moisture protection. The model 2CP-MD must be run submerged only.

All these pumps can be serviced with the use of a screwdriver. The only moving parts in the pump other than the motor, is the Impeller-Magnet Assembly. This Impeller-Magnet Assembly rotates on a stationary spindle and up against a thrust washer. This is the only part that can wear out, and may need to be replaced. See the Repair Parts List for replacement parts if necessary.

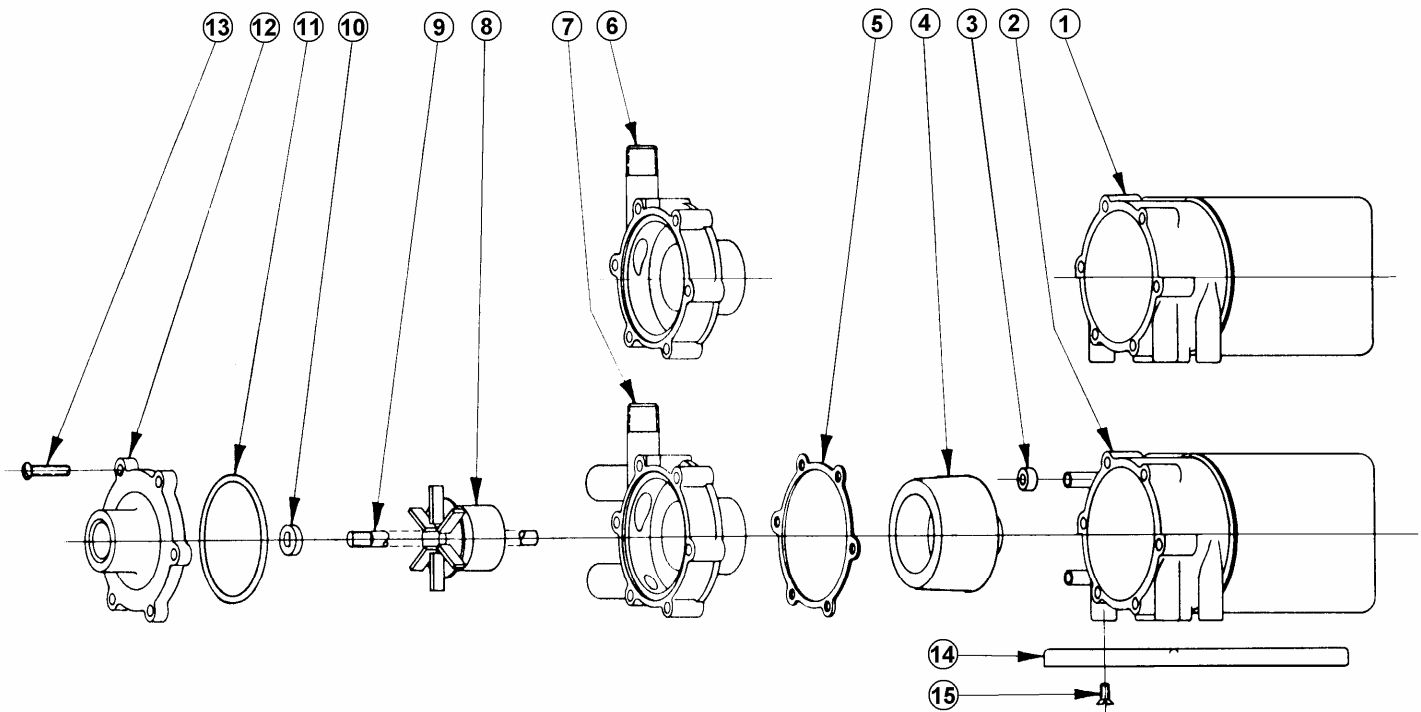
ELECTRICAL CONNECTIONS AND RUNNING DRY

All models are standard in 115 volt, 60 Cycle, 1 phase A.C. All cord sets are U.L. LISTED 18/3 wire SJT plastic cords. Standard cord length is 6 feet. The motor-thermal overload combination is U.L. Yellow Card Recognized under File No. E39859. The motors are C.S.A. recognized under File No. 40072. The pumps are U.L. Recognized under File No. E80954. U.L. Recognition On Pumps Is For Water Only. For pumping liquids other than water, contact factory.

These pumps rely on the liquid being pumped to lubricate the Impeller Magnet Assembly spinning on the stationary spindle. If the pump is run dry for longer than 60 seconds the plastic may "freeze" onto the spindle.

PUMP MATERIALS

All Screws are type 18-8 stainless steel.
All "O" Ring Gaskets are Viton® Rubber.
Impeller Spindle is stainless steel.
Motor Bracket is Glass Filled Polypropylene.
Pump Housing, and Cover and Impeller are Glass Filled Polypropylene.
Thrust Washer is Ceramic
The LC model has type 316 stainless steel tubes embedded into the epoxy to remove heat from the motor.
For other materials available contact the factory.



MODELS 2CP-MD AND LC-2CP-MD REPAIR PARTS LIST

ITEM	DESCRIPTION	QUANTITY	PART NUMBER
1	Epoxy Motor, Bracket and Cord Ass'y.	1	0125-0059-0100
2	L.C. Epoxy Motor, Bracket and Cord Ass'y.	1	0125-0059-0200
3	Cooling Tube Seals Buna N	2	0125-0007-1000
4	Drive Magnet Assembly	1	0125-0083-0100
5*	Flat Bracket Gasket, Neoprene Rubber	1	0125-0071-1000
5A*	Flat Bracket Seal, Viton® A Rubber	1	0125-0121-1000
6	Pump Housing	1	0125-0058-1000
7	L.C. Pump Housing and Plug Assembly	1	0125-0057-0100
8	Impeller and Magnet Assembly	1	0125-0055-0100
9	Impeller Shaft, Stainless Steel	1	0125-0125-1000
10	Ceramic Thrust Washer	1	0130-0028-1000
11	Cover "O" Ring, Viton Rubber	1	0125-0065-1000
12	Cover	1	0125-0056-1000
13	Screws, Self-Tapping	6	0115-0062-1000
14	Mounting Base	1	0125-0060-1000
14a	Marine Mounting Base w/Grommets	1	0125-0113-0100
15	Base Screws	4	0410-0078-1000

* If your pump has the flat bracket gasket, then use 5 for replacement parts.
 If your pump has the "O" Ring bracket seal, then use 5A for replacement parts.

Contact factory for other materials and/or parts not listed.

LIMITED WARRANTY

March pumps are guaranteed only against defects in workmanship or materials for a period of one year from date of manufacture pumping water. On all other solutions, contact the factory for application assistance. March Pump Application Worksheet 750-130-10 is available for additional warranty information.



1819 PICKWICK AVE., GLENVIEW, IL 60026-1306, U.S.A
 PHONE: (847) 729-5300 · FAX: (847) 729-7062 · www.marchpump.com

0125-0074-1000 R15